



| | | | | |
|---|---|------|---|-----------------|
| Product designation | | | | Power contactor |
| Product type designation | | | | BF38 |
| Contact characteristics | | | | |
| Number of poles | Nr. | | | 4 |
| Rated insulation voltage U _i IEC/EN | V | | | 690 |
| Rated impulse withstand voltage U _{imp} | kV | | | 6 |
| Operational frequency | min | Hz | | 25 |
| | max | Hz | | 400 |
| IEC Conventional free air thermal current I _{th} | A | | | 56 |
| Operational current I _e | AC-1 (=40°C) | A | | 56 |
| | AC-1 (=40°C) with 16mm ² wire and fork end lug | A | | 60 |
| | AC-1 (=55°C) | A | | 45 |
| | AC-1 (=55°C) with 16mm ² wire and fork end lug | A | | 48 |
| | AC-1 (=70°C) | A | | 40 |
| | AC-1 (=70°C) with 16mm ² wire and fork end lug | A | | 42 |
| | AC-3 (=440V =55°C) | A | | 38 |
| Rated operational power AC-1 (T=40°C) | AC-4 (400V) | A | | 15.5 |
| | 230V | kW | | 21 |
| | 400V | kW | | 36 |
| | 500V | kW | | 45 |
| | 690V | kW | | 62 |
| IEC max current I _e in DC1 with L/R = 1ms with 1 poles in series | =24V | A | | 35 |
| | 48V | A | | 30 |
| | 75V | A | | 23 |
| | 110V | A | | 8 |
| | 220V | A | | – |
| | IEC max current I _e in DC1 with L/R = 1ms with 2 poles in series | =24V | A | |
| 48V | | A | | 34 |
| 75V | | A | | 29 |
| 110V | | A | | 32 |
| 220V | | A | | 4 |
| IEC max current I _e in DC1 with L/R = 1ms with 3 poles in series | | =24V | A | |
| | 48V | A | | 34 |
| | 75V | A | | 33 |
| | 110V | A | | 34 |
| | 220V | A | | 30 |
| | IEC max current I _e in DC1 with L/R = 1ms with 4 poles in series | =24V | A | |
| 48V | | A | | 34 |

| | | | |
|--|-----------------|------|------|
| | 75V | A | 33 |
| | 110V | A | 34 |
| | 220V | A | 38 |
| <hr/> | | | |
| IEC max current I _e in DC3-DC5 with L/R = 15ms with 1 poles in series | =24V | A | 24 |
| | 48V | A | 20 |
| | 75V | A | 17 |
| | 110V | A | 2,5 |
| | 220V | A | – |
| <hr/> | | | |
| IEC max current I _e in DC3-DC5 with L/R = 15ms with 2 poles in series | =24V | A | 28 |
| | 48V | A | 25 |
| | 75V | A | 22 |
| | 110V | A | 18 |
| | 220V | A | 3 |
| <hr/> | | | |
| IEC max current I _e in DC3-DC5 with L/R = 15ms with 3 poles in series | =24V | A | 32 |
| | 48V | A | 28 |
| | 75V | A | 28 |
| | 110V | A | 23 |
| | 220V | A | 25 |
| <hr/> | | | |
| IEC max current I _e in DC3-DC5 with L/R = 15ms with 4 poles in series | =24V | A | 32 |
| | 48V | A | 28 |
| | 75V | A | 28 |
| | 110V | A | 23 |
| | 220V | A | 15 |
| <hr/> | | | |
| Short-time allowable current for 10s (IEC/EN60947-1) | | A | 320 |
| <hr/> | | | |
| Protection fuse | | | |
| | gG (IEC) | A | 63 |
| | aM (IEC) | A | 40 |
| <hr/> | | | |
| Making capacity (RMS value) | | A | 380 |
| <hr/> | | | |
| Breaking capacity at voltage | | | |
| | 440V | A | 304 |
| | 500V | A | 240 |
| | 690V | A | 192 |
| <hr/> | | | |
| Resistance per pole (average value) | | m? | 2 |
| <hr/> | | | |
| Power dissipation per pole (average value) | | | |
| | I _{th} | W | 6 |
| | AC3 | W | 2.9 |
| <hr/> | | | |
| Tightening torque for terminals | | | |
| | min | Nm | 2.5 |
| | max | Nm | 3 |
| | min | lbin | 1.8 |
| | max | lbin | 2.2 |
| <hr/> | | | |
| Tightening torque for coil terminal | | | |
| | min | Nm | 0.8 |
| | max | Nm | 1 |
| | min | lbin | 0.8 |
| | max | lbin | 0.74 |
| <hr/> | | | |
| Max number of wires simultaneously connectable | | Nr. | 2 |
| <hr/> | | | |
| Conductor section | | | |
| | AWG/Kcmil | | |

| | | | | |
|---|-----------------------------|------------------|-----------------|-----------------------|
| | | max | | 6 |
| Flexible w/o lug conductor section | | min | mm ² | 2.5 |
| | | max | mm ² | 16 |
| Flexible c/w lug conductor section | | min | mm ² | 1 |
| | | max | mm ² | 10 |
| Flexible with insulated spade lug conductor section | | min | mm ² | 1 |
| | | max | mm ² | 10 |
| Power terminal protection according to IEC/EN 60529 | | | | IP20 when wired |
| Mechanical features | | | | |
| Operating position | | normal allowable | | Vertical plan ±30° |
| Fixing | | | | Screw / DIN rail 35mm |
| Weight | | | g | 660 |
| Conductor section | AWG/kcmil conductor section | | | |
| | | max | | 6 |
| Operations | | | | |
| Mechanical life | | | cycles | 20000000 |
| Electrical life | | | cycles | 1400000 |
| Safety related data | | | | |
| Performance level B10d according to EN/ISO 13489-1 | | rated load | cycles | 1400000 |
| | | mechanical load | cycles | 20000000 |
| Mirror contacts according to IEC/EN 60947-4-1 | | | | yes |
| EMC compatibility | | | | yes |
| DC coil operating | | | | |
| DC rated control voltage | | | V | 220 |
| DC operating voltage | | | | |
| | pick-up | min | %Us | 80 |
| | | max | %Us | 125 |
| | drop-out | min | %Us | 10 |
| | | max | %Us | 40 |
| Average coil consumption =20°C | | in-rush | W | 5.4 |
| | | holding | W | 5.4 |
| Max cycles frequency | | | | |
| Mechanical operation | | | cycles/h | 3600 |
| Operating times | | | | |
| Average time for Us control | | | | |
| | in AC | | | |
| | Closing NO | min | ms | 8 |
| | | max | ms | 24 |
| | Opening NO | min | ms | 5 |
| | | max | ms | 15 |

| | | | | |
|------------|------------|-----|----|----|
| in DC | Closing NC | min | ms | 9 |
| | | max | ms | 20 |
| | Opening NC | min | ms | 9 |
| | | max | ms | 17 |
| | Closing NO | min | ms | 54 |
| | | max | ms | 66 |
| Opening NO | min | ms | 14 | |
| | max | ms | 17 | |

UL technical data

Full-load current (FLA) for three-phase AC motor

| | | |
|---------|---|----|
| at 480V | A | 40 |
| at 600V | A | 32 |

Yielded mechanical performance

for single-phase AC motor

| | | |
|----------|----|-----|
| 110/120V | HP | 3 |
| 230V | HP | 7.5 |

for three-phase AC motor

| | | |
|----------|----|----|
| 200/208V | HP | 10 |
| 220/230V | HP | 15 |
| 460/480V | HP | 30 |
| 575/600V | HP | 30 |

General USE

Contactor

| | | |
|------------|---|----|
| AC current | A | 55 |
|------------|---|----|

Short-circuit protection fuse, 600V

High fault

| | | |
|-----------------------|----|-----|
| Short circuit current | kA | 100 |
| Fuse rating | A | 100 |
| Fuse class | | J |

Standard fault

| | | |
|-----------------------|----|-----|
| Short circuit current | kA | 5 |
| Fuse rating | A | 150 |

Ambient conditions

Temperature

Operating temperature

| | | |
|-----|----|-----|
| min | °C | -50 |
| max | °C | 70 |

Storage temperature

| | | |
|-----|----|-----|
| min | °C | -60 |
| max | °C | 80 |

Max altitude

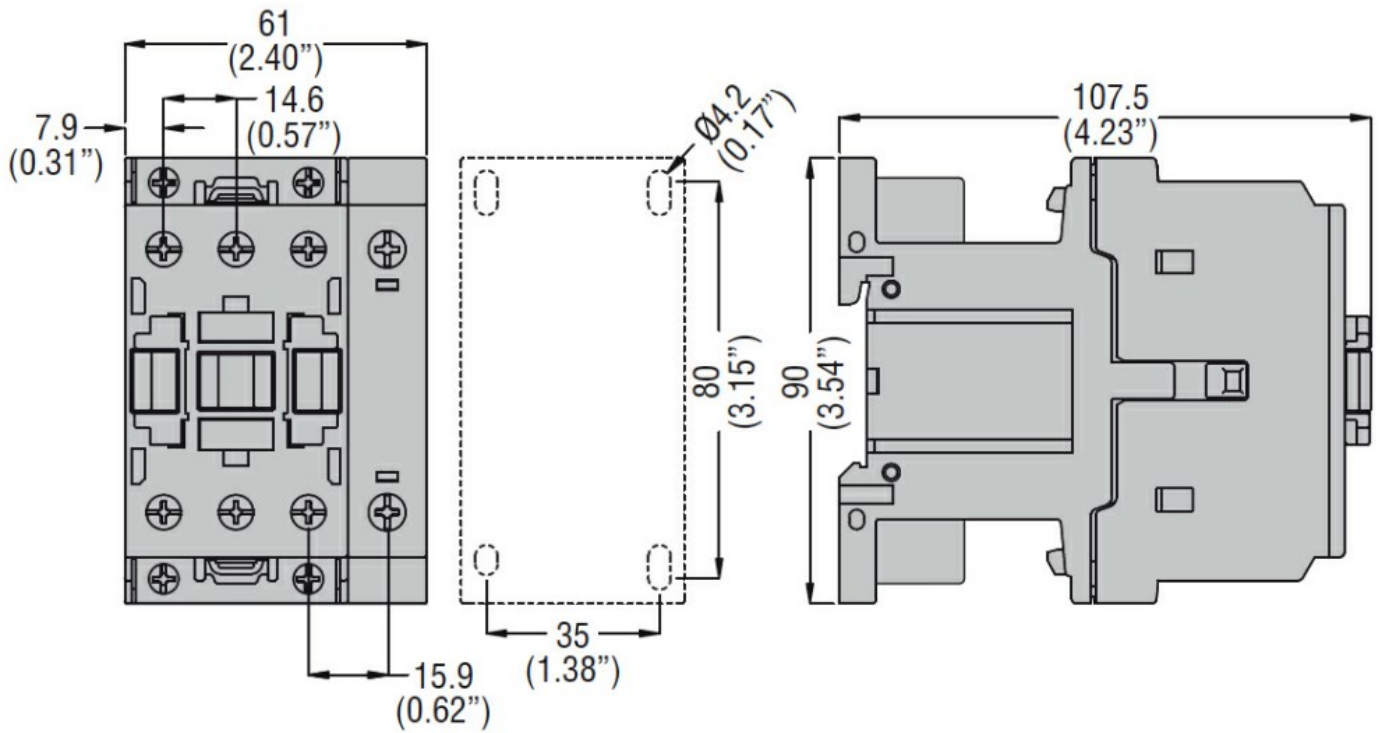
| | |
|---|------|
| m | 3000 |
|---|------|

Resistance & Protection

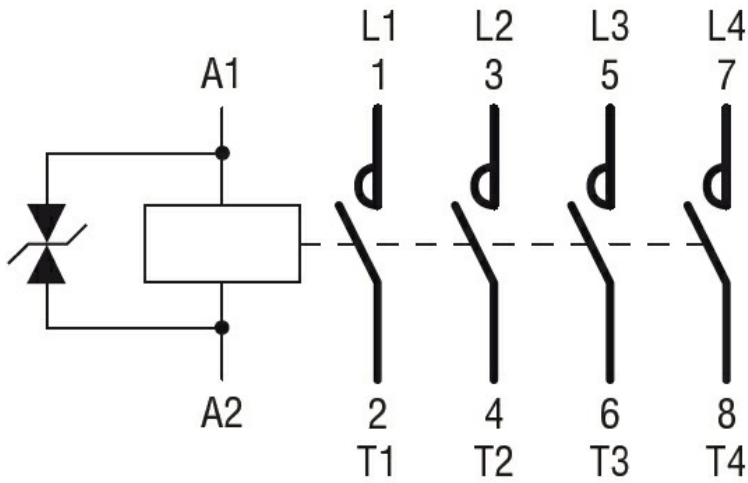
Pollution degree

3

Dimensions



Wiring diagrams



Certifications and compliance

Compliance

CSA C22.2 n° 60947-1

CSA C22.2 n° 60947-4-1

IEC/EN/BS 60947-1

IEC/EN/BS 60947-4-1

UL 60947-1

UL 60947-4-1

Certificates

CCC

cULus

EAC

ETIM classification

ETIM 8.0

EC000066 -
Power contactor,
AC switching